

Product data sheet: Tabletops

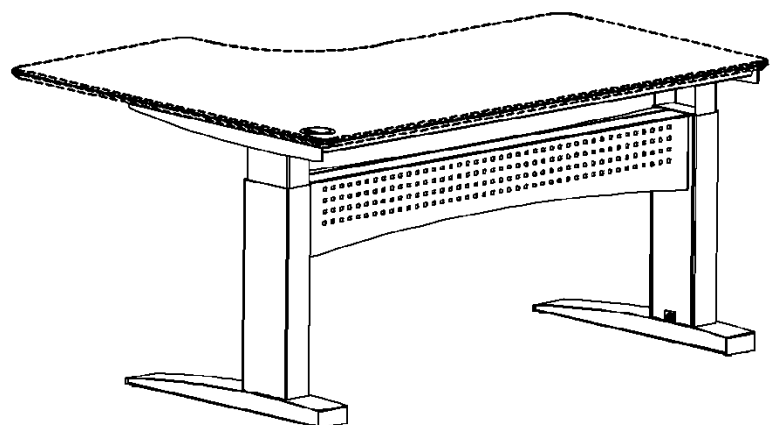
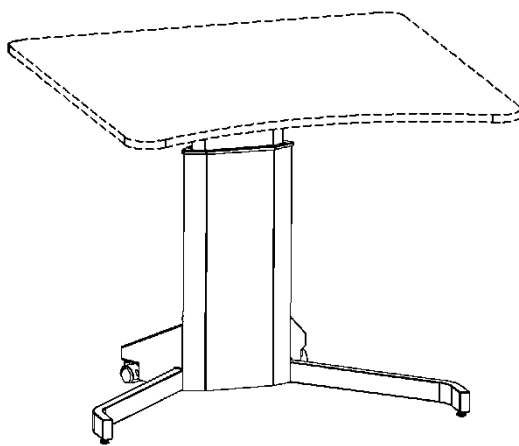
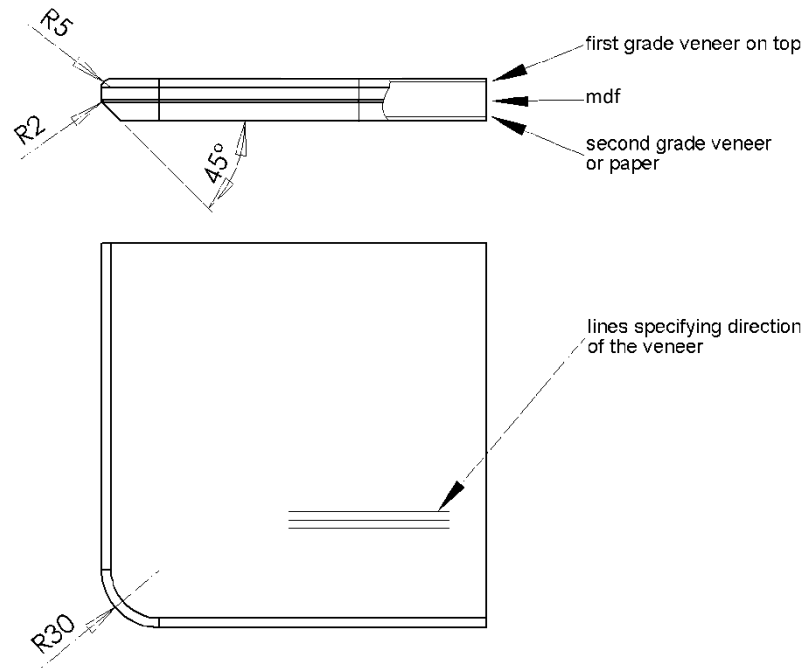


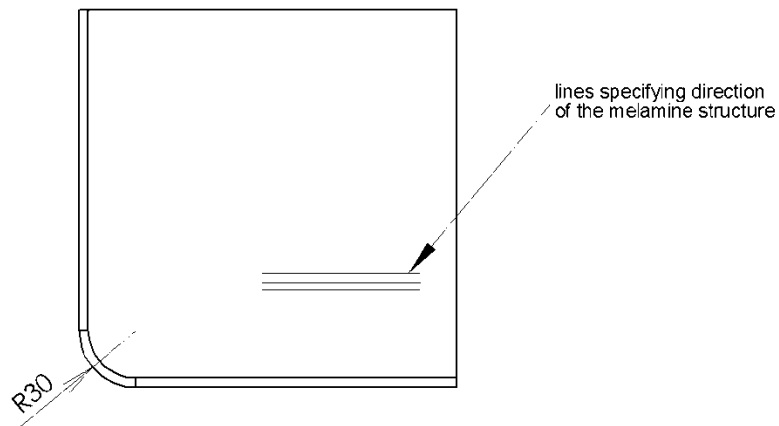
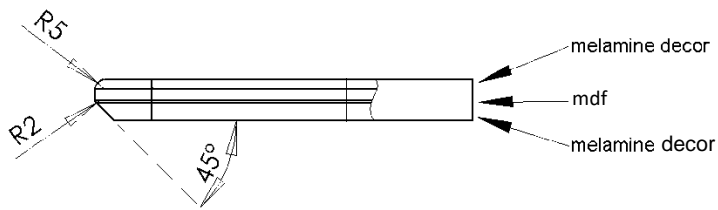
Table of contents

Technical specifications, veneer tabletops	page 3
Technical specifications, melamine tabletops	page 4
Veneer specifications	page 5
Melamine specifications	page 5
Environmental perspectives	page 6

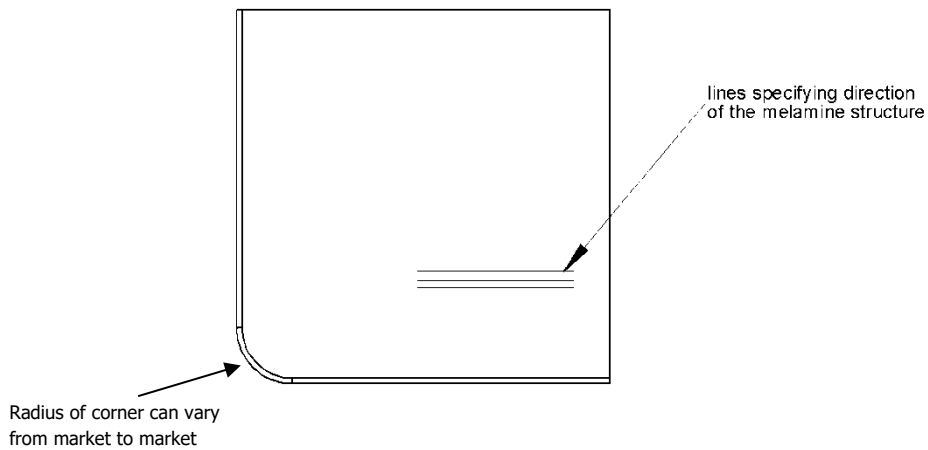
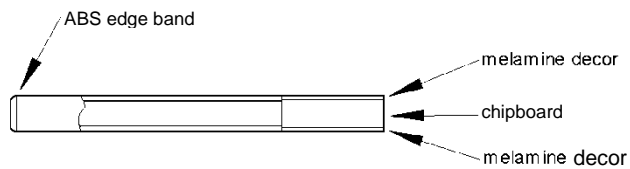
Technical specifications, veneer tabletops



Technical specifications, melamine tabletops



or



Veneer specifications

ConSet have 4 different kinds of veneers in range.



Beech

Maple

Cherry

Oak

The veneers used for ConSet tabletops are approx. 0,6mm in thickness and have an average width before sewing of approx. 70mm. By using references of good and bad qualities the producer of the veneer know exactly what is acceptable using for a ConSet tabletop.

Melamine specifications

ConSet have 5 different kind of melamine in range.



Beech

Maple

Oak

Grey

White

The melamine has a slightly structured surface. All melamine's are bought from leading melamine producers, which gives the safety of having a uniform quality.

Be aware that not all tops are available on all markets!

Environmental perspectives

ConSet do their up most to protect the environment and do this by making sure, that the suppliers of tabletops have the following approvals:

FSC certification

This certification specifies that "The facility(s) and product(s) have been independently certified by Scientific Certification Systems (SCS) in accordance with the rules of the Forest Stewardship Council A.C. (FSC). This product(s) has been harvested from forests that meet stringent environmental, social and economic standards.



Determination of emissions from solid wood elements

All the MDF, particleboard and plywood used in the range of ConSet tabletops have an emission of formaldehyde that is below the maximum value for the E1 approval. The determination is made according to EN 717-1, 1998.

Lacquer used for ConSet tabletops

The veneer on ConSet tabletops are finished with lacquer. Only the most environmental protecting UV-hardening lacquer is used. The lacquer is added using roller.

The edges of the tabletops also are done using a water based lacquer. The lacquering is done by spraying.