

**Product data sheet:
Electric height adjustable desk frame 501-53**

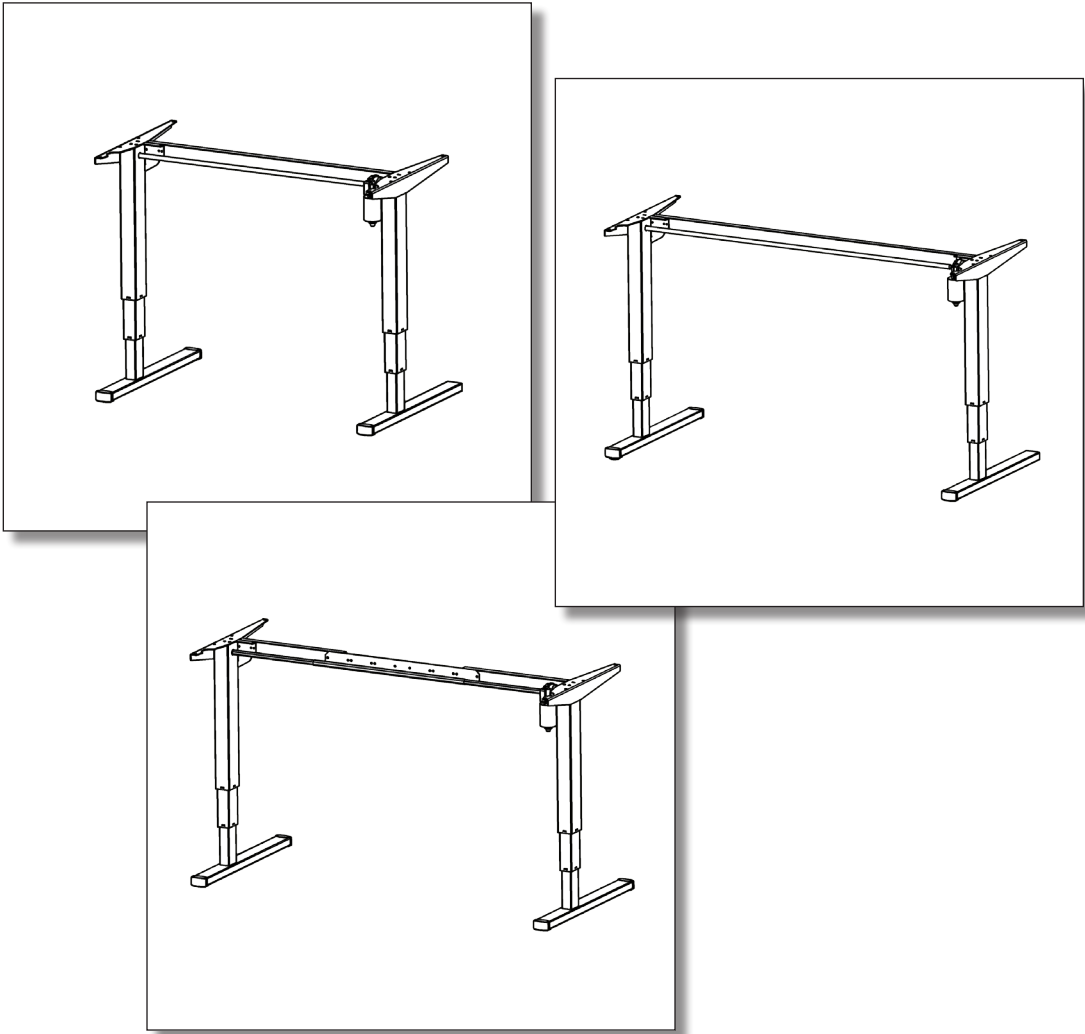


Table of contents

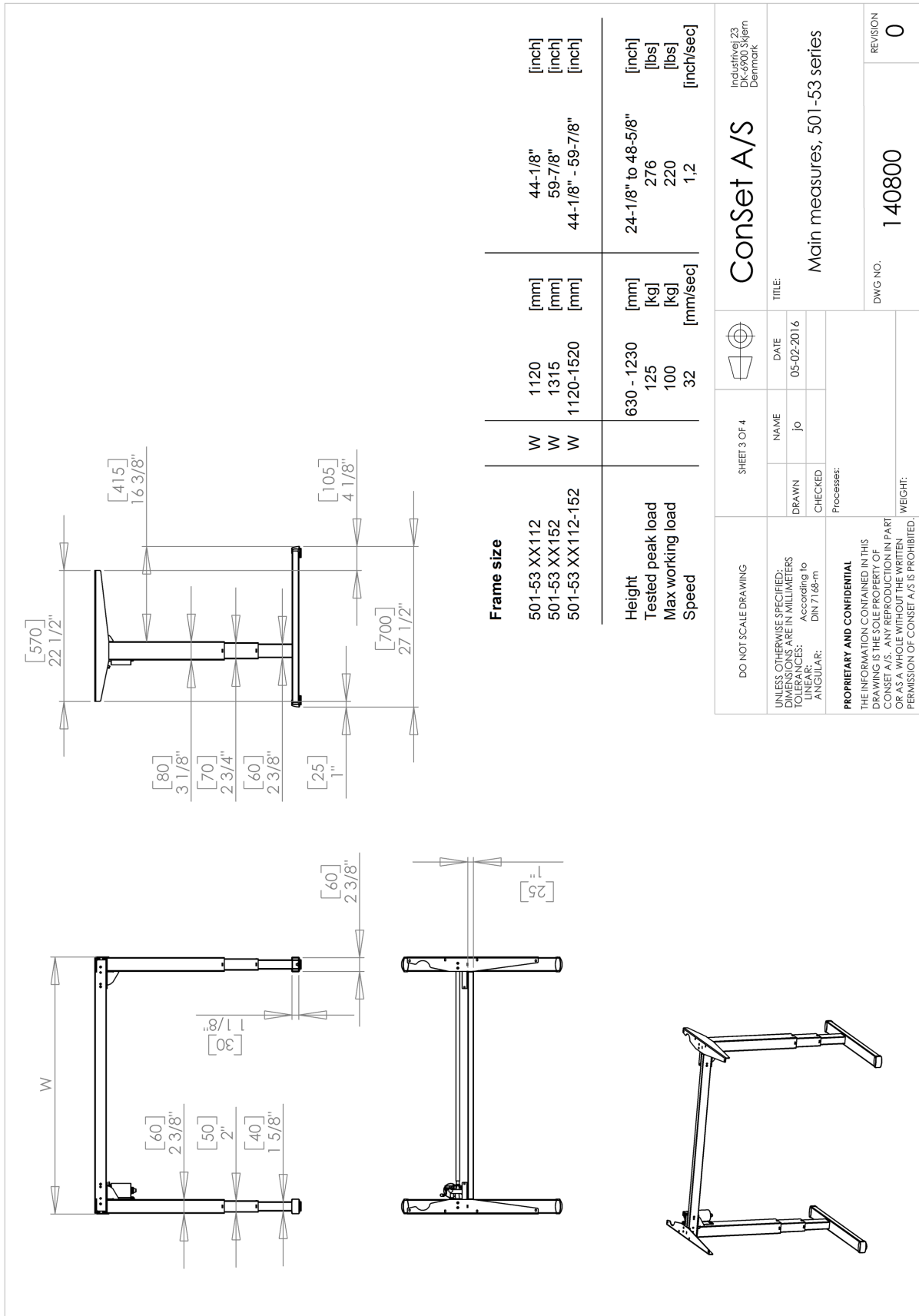
Packing details	3
Main measures and specifications	4
Load curve	5
Tabletop drillings	6
Assembly and use	7
Safety and tests	8
Component specifications	9

Packing details

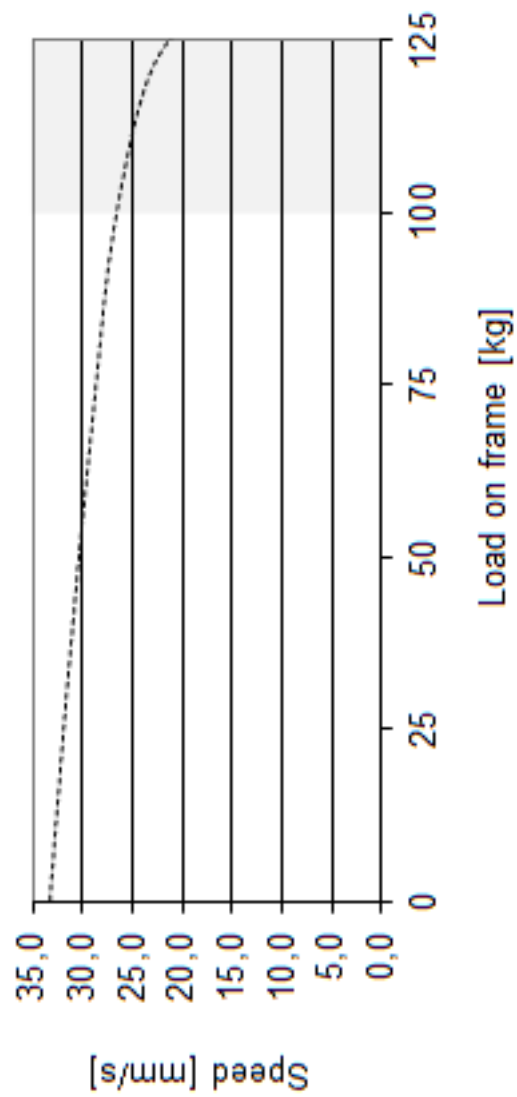
501-53 - box measures		[inch]
Box of legs		
501-53 XXXXX	WxDxH 710 x 680 x 160	28" x 6-1/4" x 26-3/4"
Box of cross bars		
SQ137690 (112)	LxWxH 1102 x 55 x 30	43-3/8" x 2-1/8" x 1-1/8"
SQ134460 (152)	LxWxH 1502 x 55 x 30	59-1/8" x 2-1/8" x 1-1/8"
SQ137800 (112-152)	LxWxH ***	***
501-53 - box weights		
Box of legs		
501-53 XXXXX	22 (25,5)	49 (56)
Box of cross bars		
SQ137690 (112)	2,3	5
SQ134460 (152)	3,1	7
SQ137800 (112-152)	***	***
*** cross bar SQ137800 included in 501-53 XXXXX box		

DO NOT SCALE DRAWING	SHEET 4 OF 4	Conset A/S		inclusivvej 23 DK-6900 Skjern Denmark
UNLESS OTHERWISE SPECIFIED, DIMENSIONS ARE IN MILLIMETERS TOLERANCES: According to LINEAR: DIN7186m ANGULAR: DIN7186m	DRAWN	NAME	DATE	TITLE:
	CHECKED	jo	02-05-2016	Box components, 501-53 series
PROPRIETARY AND CONFIDENTIAL THE INFORMATION CONTAINED IN THIS DRAWING IS THE SOLE PROPERTY OF CONSET A/S - ANY REPRODUCTION IN PART OR AS A WHOLE WITHOUT THE WRITTEN PERMISSION OF CONSET A/S IS PROHIBITED		DWG NO. 140800		REVISION 0
Processes:		WEIGHT:		

Main measures and specifications



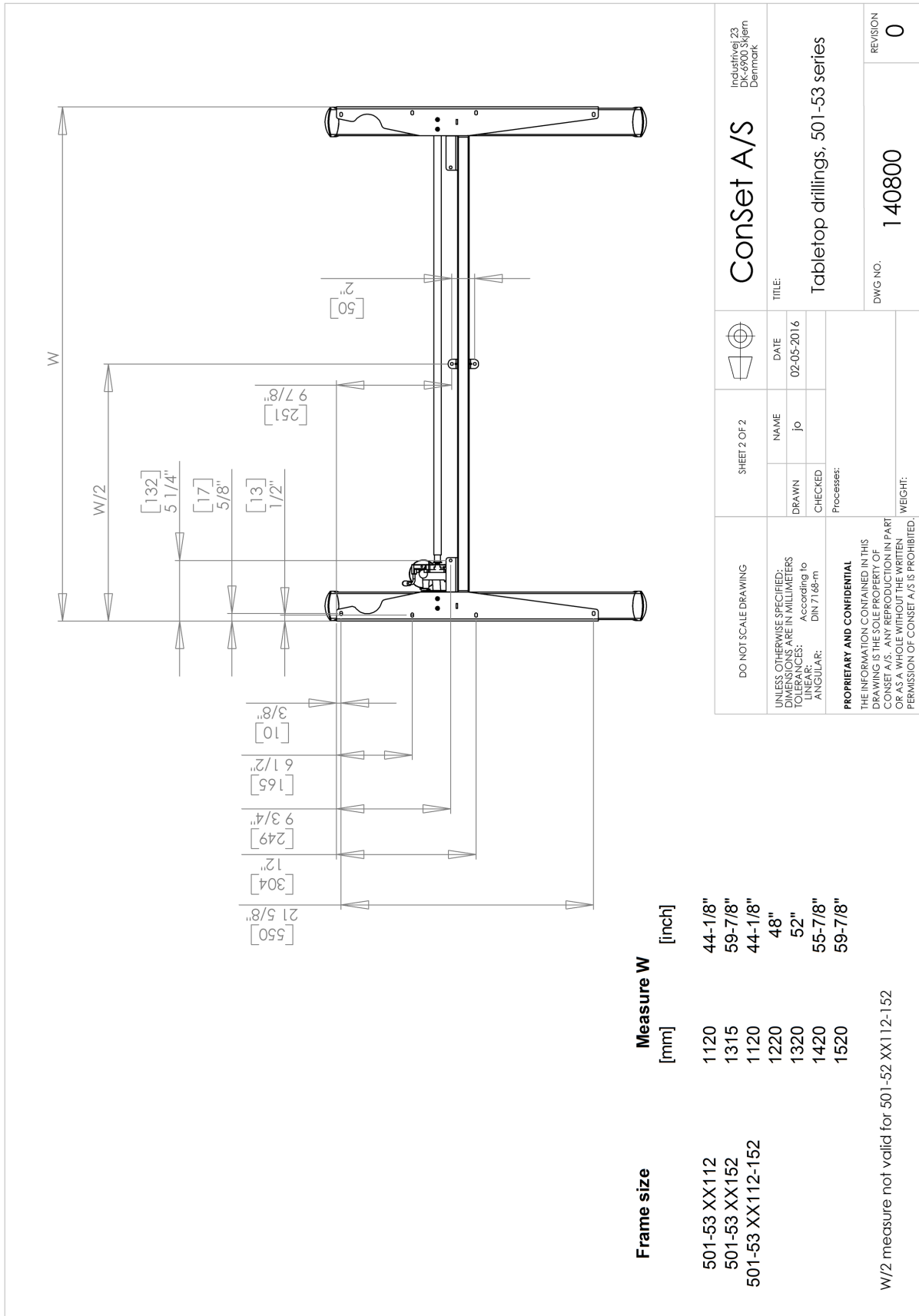
Load curve



"Duty cycle: 10 % by 50 % of max. working load on frame or max. 2 min. continuously"

"Above curve applies to a centrally placed load and is only valid in respect of duty cycle: 10 % by 50 % of max. working load or max. 2 min. continuously. Above specifications may vary depending on local temperature, humidity and input voltage."

Tabletop drillings



DO NOT SCALE DRAWING		SHEET 2 OF 2		ConSet A/S		Inclusivvej 23 DK-6000 Sljern Denmark	
UNLESS OTHERWISE SPECIFIED: DIMENSIONS ARE IN MILLIMETERS		DRAWN: jo		DATE: 02-05-2016		TITLE: Tabletop drillings, 501-53 series	
TOLERANCES: According to LINEAR: DIN 7168-m		CHECKED:		Process:		DWG NO. 140800	
PROPRIETARY AND CONFIDENTIAL THE INFORMATION CONTAINED IN THIS DRAWING IS THE SOLE PROPERTY OF CONSET A/S. ANY REPRODUCTION IN PART OR AS A WHOLE WITHOUT THE WRITTEN PERMISSION OF CONSET A/S IS PROHIBITED.		WEIGHT:		REVISION		0	

Assembly and use

Along with all products a "Direction for assembly and use" is delivered. In this you will find a detailed description of the way of assembly.



After the frame has been mounted the chosen tabletop is mounted and the operation unit will be possible to fix at the bottom side of the table top. This operation unit has a rocker switch.

With the rocker switch it is possible to move the tabletop up and down and can be stopped at all levels.



Safety and tests

All ConSet sit and stand desk frames meet the necessary requirements within the following relevant categories:

- EN 527-1: Office furniture – Workplaces and desks – Part 1:
Dimensions
- EN 527-2: Office furniture – Workplaces and desks – Part 2:
Mechanical safety requirements
- EN 527-3: Office furniture – Workplaces and desks – Part 3:
Methods of test for the determination of the stability and the mechanical strength of the structure.

Declaration of conformity

We hereby declare, under our sole responsibility that the following product:

- ConSet sit and stand table product type **501-53**
is in accordance with:
- Directive 2006/42/EF of The European Parliament and of the Council of 17 May 2006 on machinery and on changes of directive 95/16/EF

With reference to the above please be aware that:

- the sit and stand table is considered a machine and
- the sit and stand table may not be used until it has been assembled and installed according to the instructions.

Component specifications

Metal sheet parts:	St 37-2
Gear parts:	St 70-2
Gear motor:	CS no. 134550
Power supply:	80W AC Power Transformer Input 100-240 VAC ~ 50/60 Hz
Standby:	Less than 0,5 Watt
Plastic components:	POM, PE-HD, ABS
Surface treatment:	Visible metal parts powder coated in light grey RAL9007. Non visible metal parts are surface treated (e.g.plated)